

## Ambient Light Sensor – Surface Mount ALS-PD70-01C/TR7



### Features

- Close to the human eye's response
- Low sensitivity variation across various light sources
- Operating temperature performance, -40°C to 85°C
- Wide supply voltage range, 2.5V to 5.5V
- Size : 4.4mm(L)\*3.9mm(W)\*1.2mm(H)
- The product itself will remain within RoHS compliant version
- Compliance with EU REACH
- Compliance Halogen Free (Br < 900ppm, Cl < 900ppm, Br+Cl < 1500ppm)

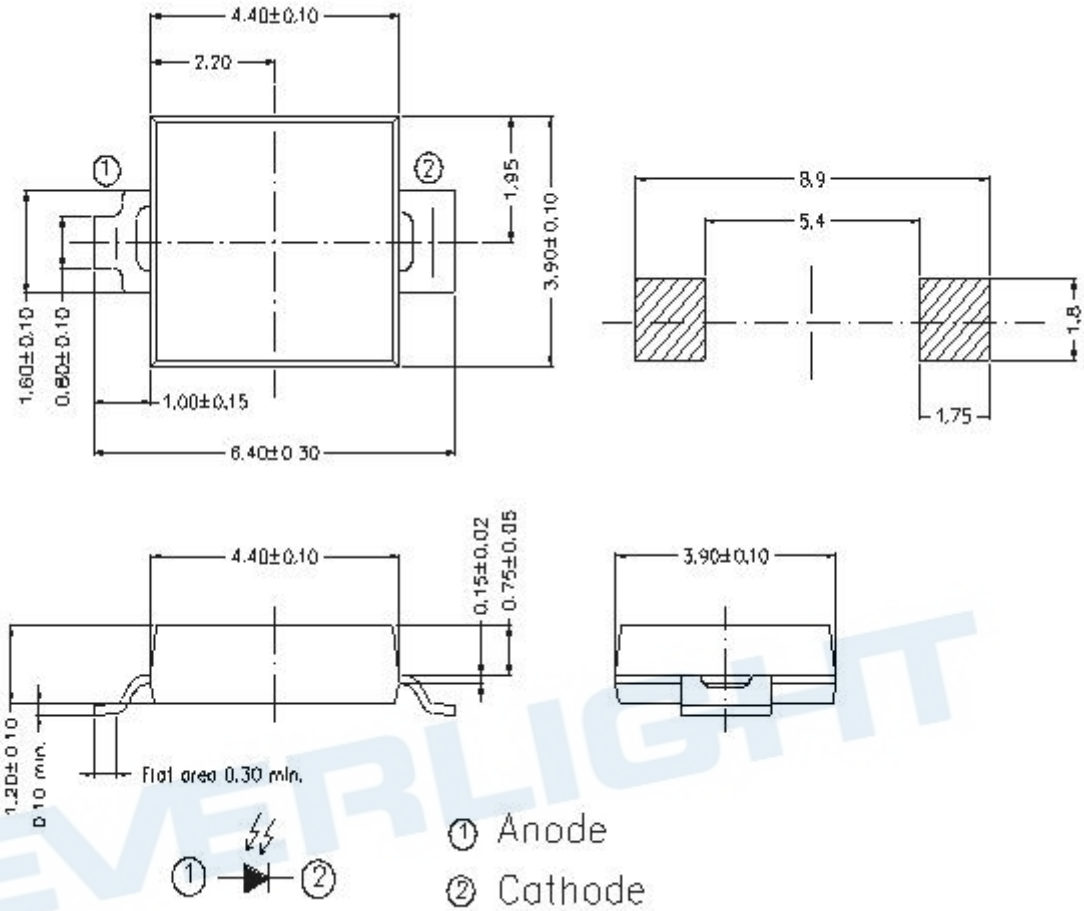
### Description

ALS-PD70-01C/TR7 Ambient Light Sensor Device, consisting of a photodiode in miniature SMD package, which is molded in water clear with flat top. It is a good effective solution to the power saving of display backlighting of mobile appliances, such as the mobile phones and PDAs. Due to the high rejection ration of infrared radiation, the spectral response of the ambient light sensor is close to that of human eyes.

### Applications

- Detection of ambient light for controlling the backlighting of TFT LCD display
- Automatic residential and commercial lighting management
- Automatic contrast enhancement for electronic signboard
- Ambient light monitoring device for daylight and artificial light

Package Dimensions



Notes:

1. All dimensions are in millimeters
2. Tolerances unless dimensions  $\pm 0.1$ mm

### Absolute Maximum Ratings

Parameter	Symbol	Condition	Rating	Unit
Reverse Breakdown Voltage	$V_{BR}$	$I_R=100\mu A$	35	V
Forward Voltage	$V_F$	$I_F=10mA$	0.5~1.3	V
Operating Temperature	$T_{opr}$	--	-40~+85	°C
Storage Temperature	$T_{stq}$	--	-40~+85	°C
Soldering Temperature	$T_{sol}$	--	260	°C

### Recommended Operating Conditions ( $T_a=25^\circ C$ )

Parameter	Symbol	Min.	Max.	Unit
Operating Temperature	$T_{opr}$	-40	+85	°C

EVERLIGHT

**Electrical and Optical Characteristics (T<sub>a</sub>=25°C)**

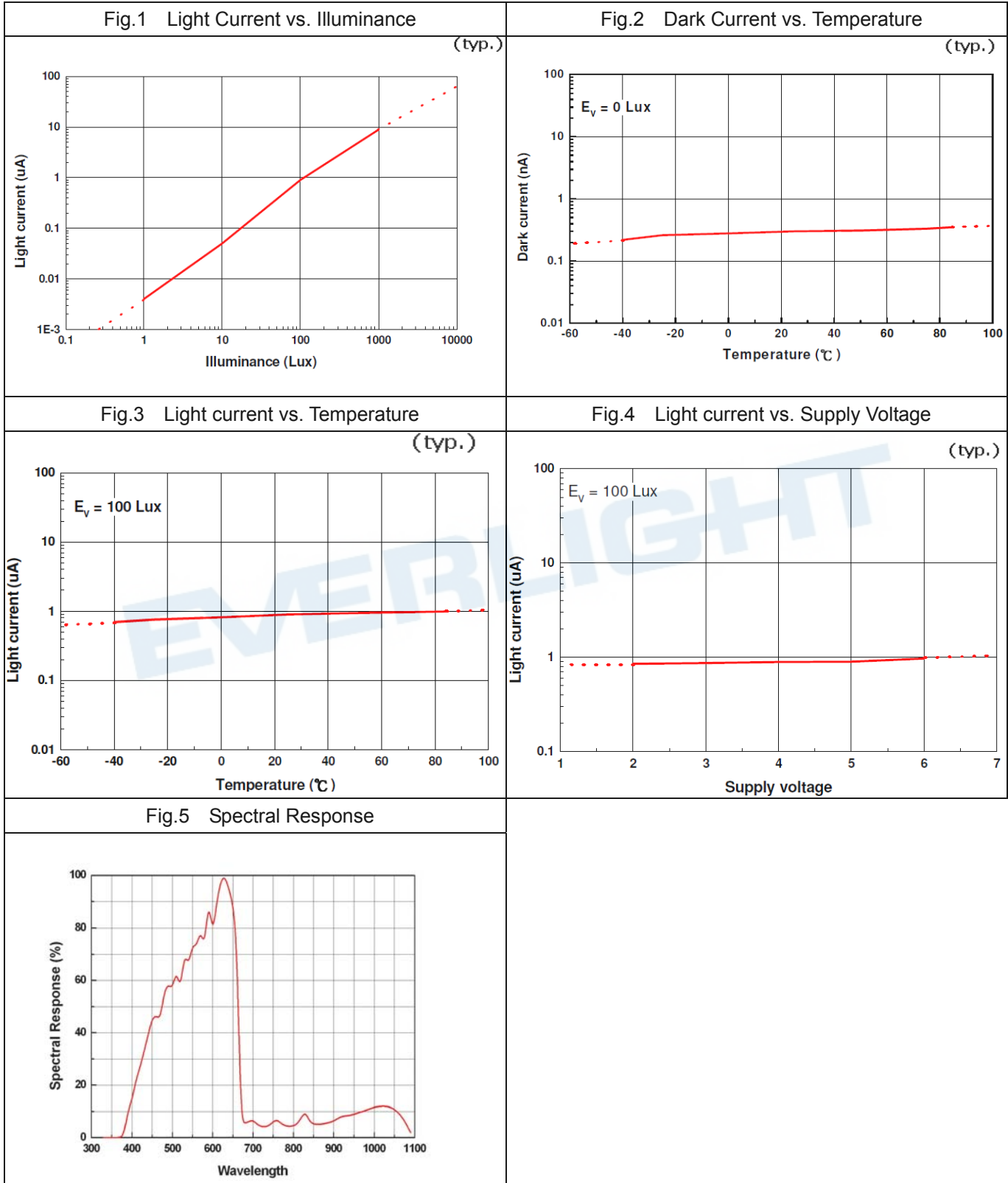
Parameter	Symbol	Min.	Typ.	Max.	Unit	Condition
Dark Current	I <sub>D</sub>	---	2	10	nA	E <sub>V</sub> =0Lux V <sub>R</sub> =5V
	I <sub>L1</sub>	---	1.1	---		V <sub>R</sub> =5V E <sub>V</sub> =100Lux [Note1]
Light Current	I <sub>L2</sub>	---	9.5	---	uA	V <sub>R</sub> =5V E <sub>V</sub> =1000Lux [Note1]
	I <sub>L3</sub>	---	12	---		V <sub>R</sub> =5V E <sub>V</sub> =1000Lux [Note2]
Peak Sensitivity Wavelength	λ <sub>p</sub>	---	630	---	nm	---
Sensitivity Wavelength Range	λ	390	---	700	nm	---

**Note :**

1. White Fluorescent light (Color Temperature = 6500K) is used as light source. However, White LED is substituted in mass production.
2. Illuminance by CIE standard illuminant-A / 2856K, incandescent lamp.

EVERLIGHT

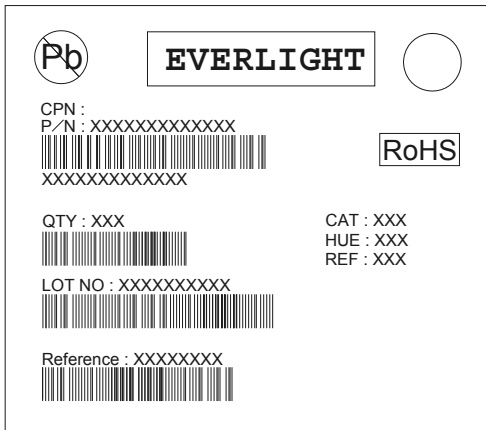
Typical Electro-Optical Characteristics Curves



### Packing Quantity Specification

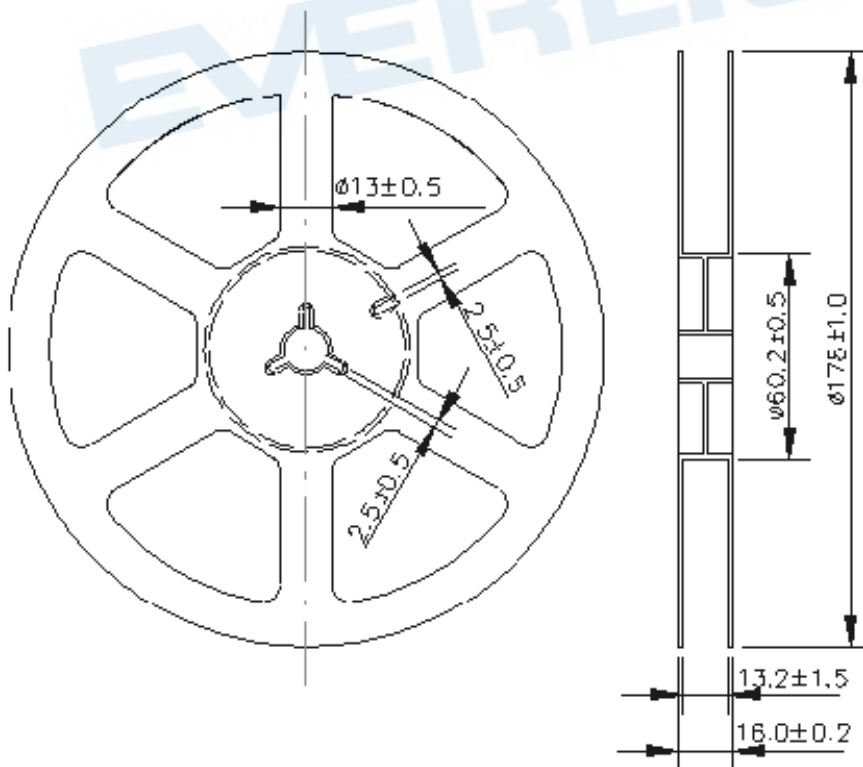
1. 1000Pcs/1Volume , 1Volume/1Bag
2. 10Boxes/1Carton

### Label Format

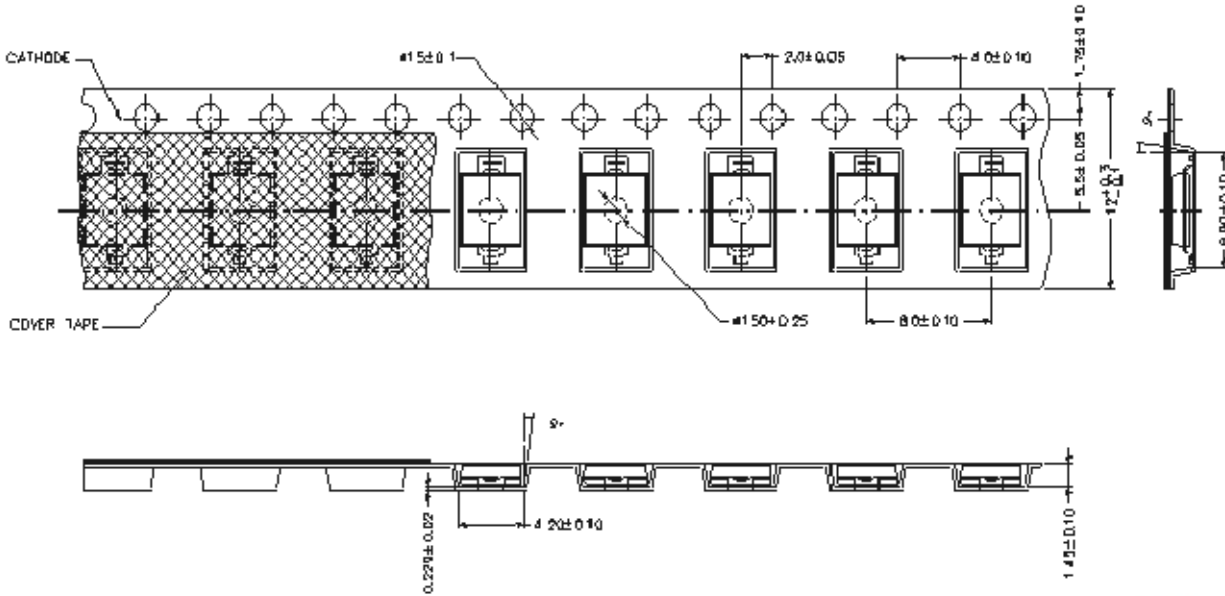


- CPN : Customer's Product Number
- P/N : Product Number
- QTY : Packing Quantity
- CAT : Ranks
- HUE : Peak Wavelength
- REF : Reference
- LOT No : Lot Number

### Reel Dimensions



Loaded Quantity Per Reel 1000PCS/Reel



EVERLIGHT

## DISCLAIMER

1. EVERLIGHT reserves the right(s) on the adjustment of product material mix for the specification.
2. The product meets EVERLIGHT published specification for a period of twelve (12) months from date of shipment.
3. The graphs shown in this datasheet are representing typical data only and do not show guaranteed values.
4. When using this product, please observe the absolute maximum ratings and the instructions for using outlined in these specification sheets. EVERLIGHT assumes no responsibility for any damage resulting from the use of the product which does not comply with the absolute maximum ratings and the instructions included in these specification sheets.
5. These specification sheets include materials protected under copyright of EVERLIGHT. Reproduction in any form is prohibited without obtaining EVERLIGHT's prior consent.
6. This product is not intended to be used for military, aircraft, automotive, medical, life sustaining or life saving applications or any other application which can result in human injury or death. Please contact authorized Everlight sales agent for special application request.

EVERLIGHT